

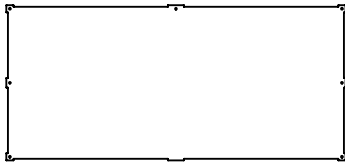
Custom RTA Instruction Sheet (RTA001)

ASSEMBLY INSTRUCTIONS

PLEASE CAREFULLY READ AND FOLLOW ALL THE INSTRUCTIONS IN THE DESIGNATED SEQUENCE.

CASE PARTS LIST:

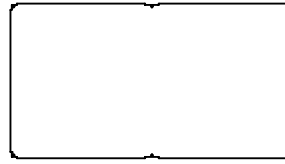
*PART QUANTITY WILL DIFFER BETWEEN SETS



FRONT/BACK PANEL
(2 pcs)



SIDE PANEL
(2 pcs)



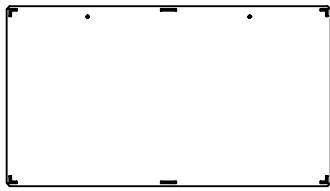
TOP PANEL
(1 pc)



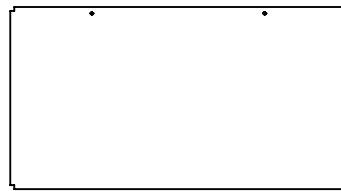
CUBE*



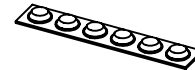
SCREW*



BOTTOM BASE PANEL
(1 pc)



TOP BASE PANEL
(1 pc)



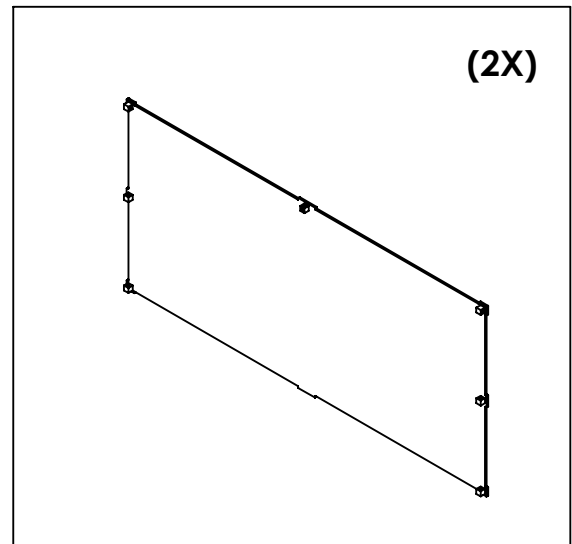
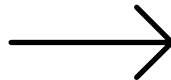
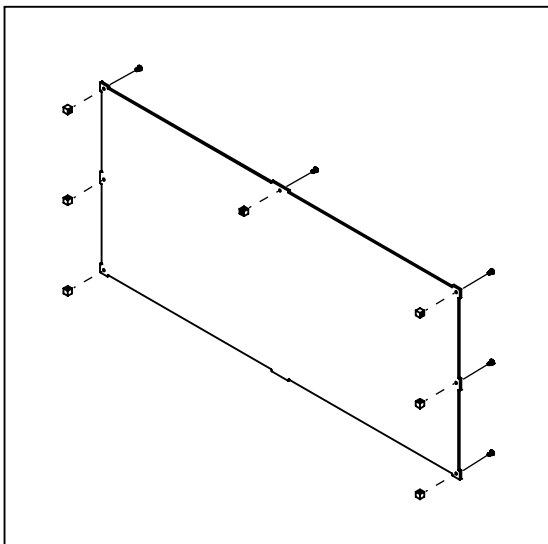
BUMPS
(9 pcs)

**RECOMMENDED: 2 PERSON ASSEMBLY FOR CASES OVER 24" IN ANY DIMENSION

COVER ASSEMBLY

STEP 1: Remove protective film from both sides of each part before assembly.

STEP 2: Attach Cubes to both Front/Back Panels using Screws. Do not over-tighten so that screws are easy to rotate, if the position of the holes on the cubes needs to be adjusted. Use manual tools only. Do not use power tools.

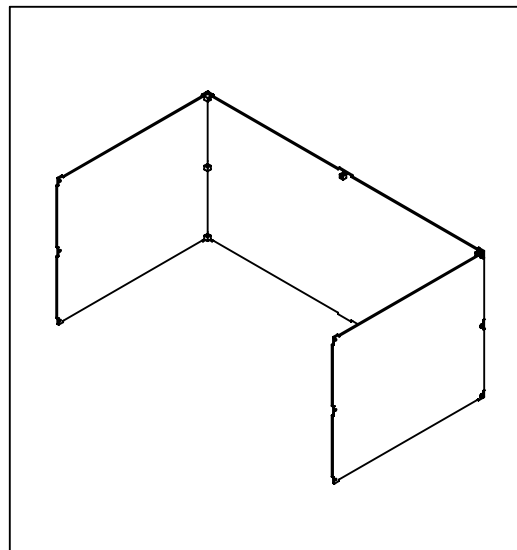
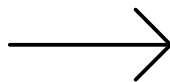
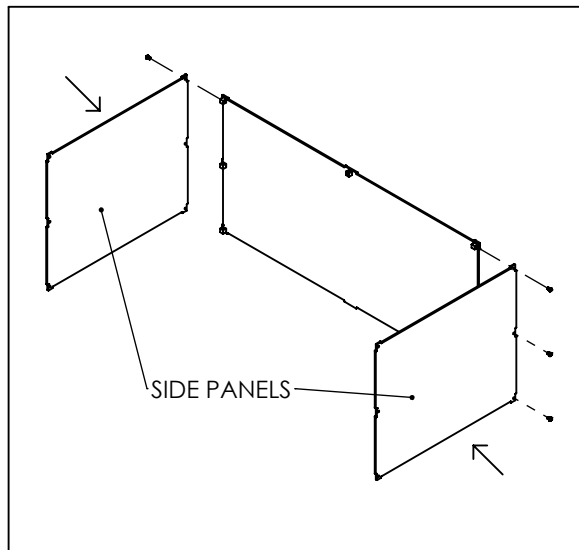


Custom RTA Instruction Sheet (RTA001)

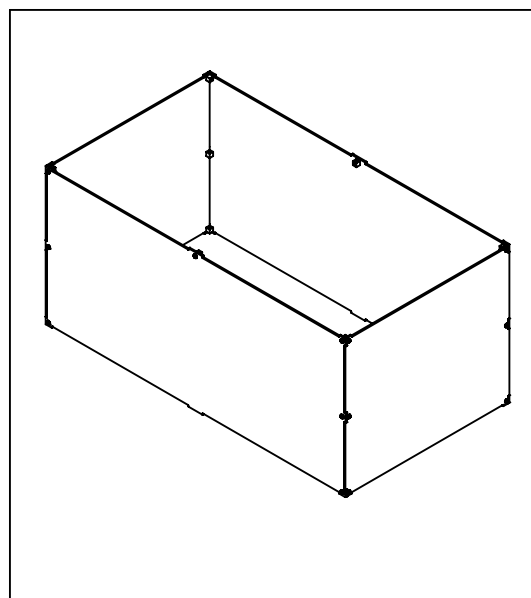
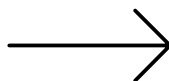
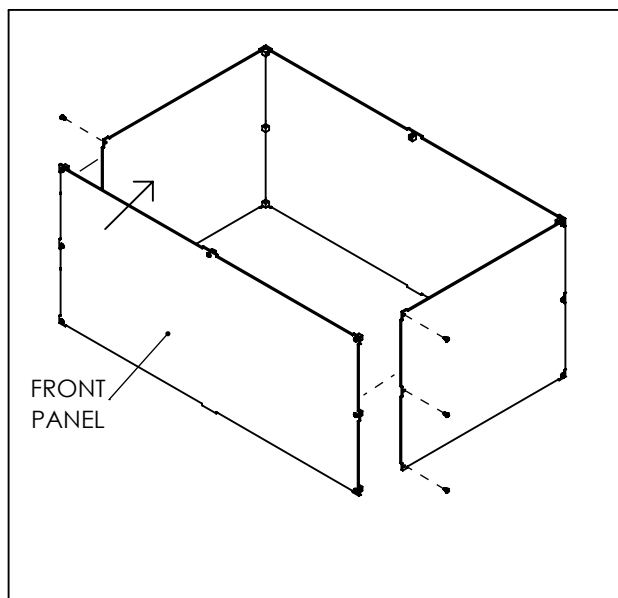
ASSEMBLY INSTRUCTIONS

PLEASE CAREFULLY READ AND FOLLOW ALL THE INSTRUCTIONS IN THE DESIGNATED SEQUENCE.

STEP 3: Attach both Side Panels to one Front/Back panel using screws.



STEP 4: Attach other Front/Back Panels to Side Panels using Screws. Once completed, add Cubes to the top of the Side Panels if necessary.

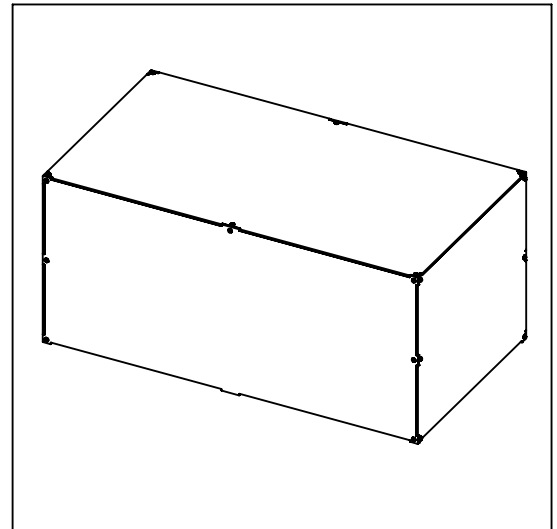
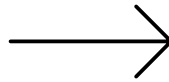
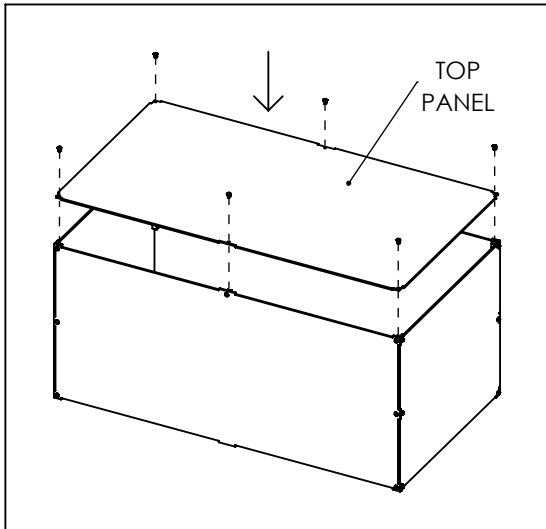


Custom RTA Instruction Sheet (RTA001)

ASSEMBLY INSTRUCTIONS

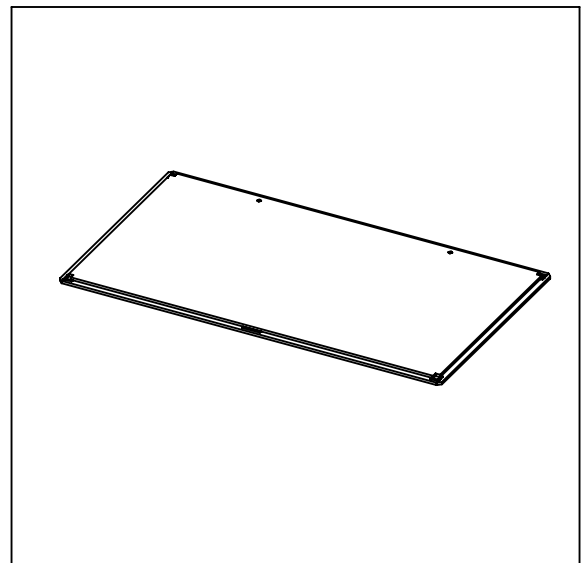
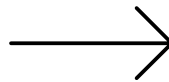
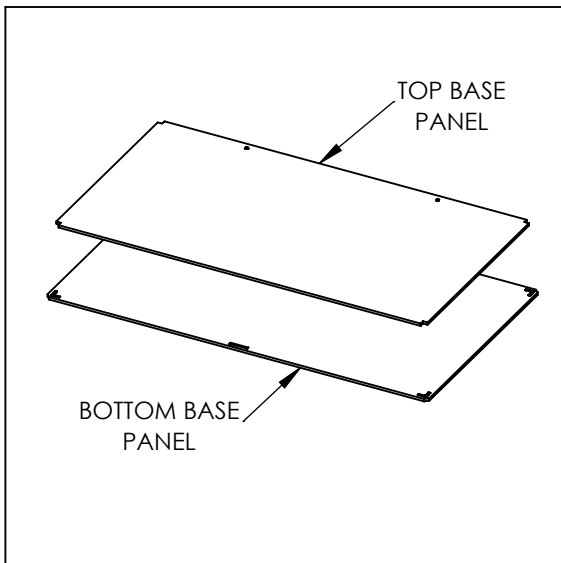
PLEASE CAREFULLY READ AND FOLLOW ALL THE INSTRUCTIONS IN THE DESIGNATED SEQUENCE.

STEP 5: Place Top Panel on assembled unit and attach using screws.



BASE ASSEMBLY

STEP 1: Place Top Base Panel on top of Bottom Base Panel allowing magnets to locate the panels together.

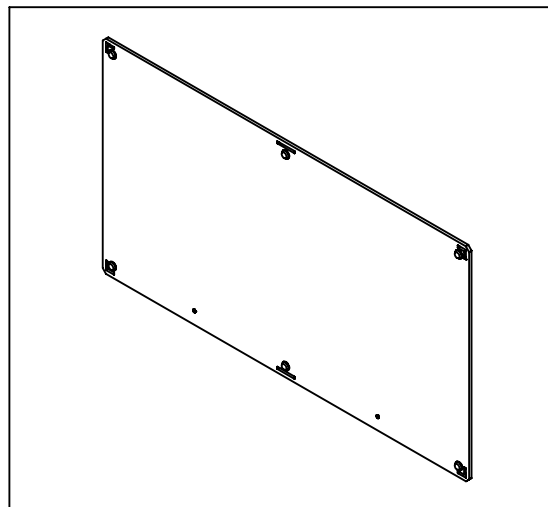
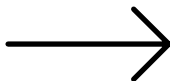
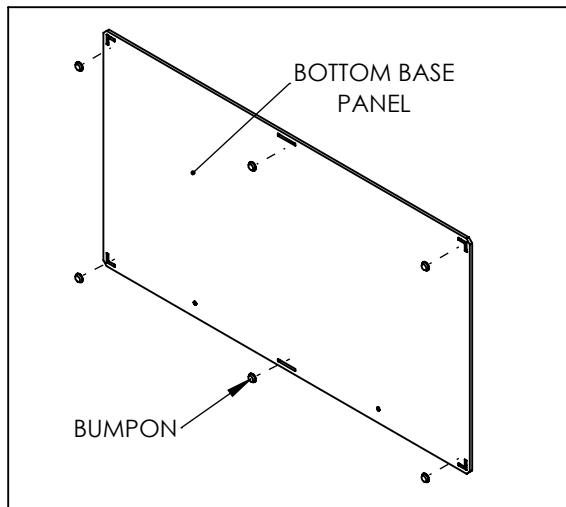


Custom RTA Instruction Sheet (RTA001)

ASSEMBLY INSTRUCTIONS

PLEASE CAREFULLY READ AND FOLLOW ALL THE INSTRUCTIONS IN THE DESIGNATED SEQUENCE.

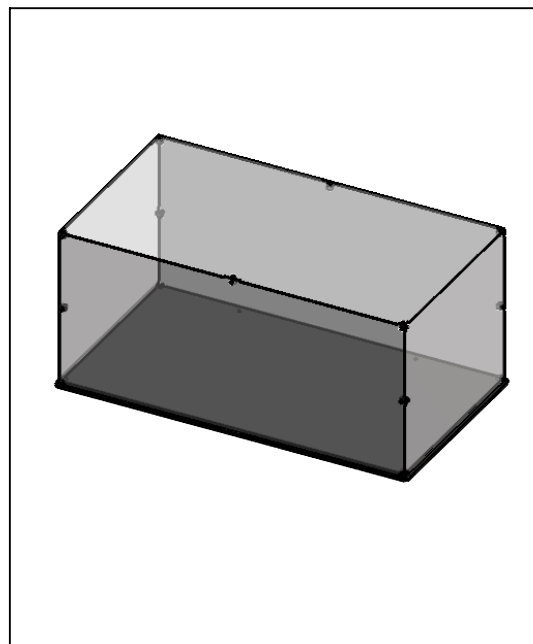
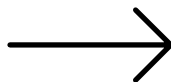
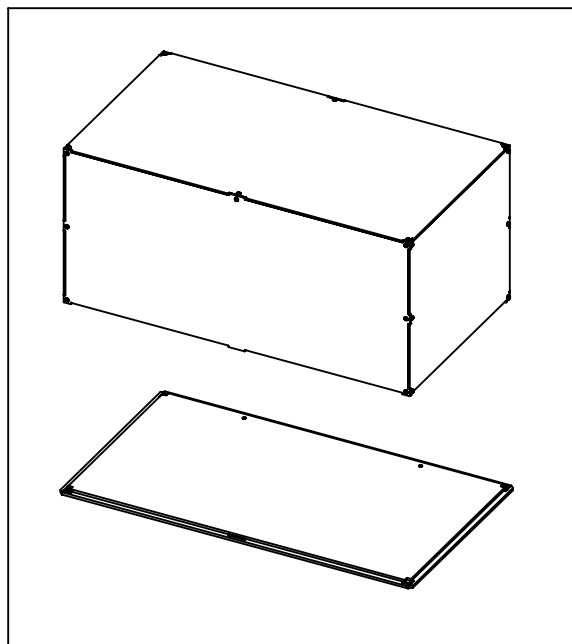
STEP 3: Attach Bumpons to the underside of Bottom Base Panel as shown. Ensure Bumpons don't cover slots when attaching.



STEP 4: Tighten all screws to make sure they are stable and the unit is sturdy. Do not over-tighten.

Note: To clean, use non-abrasive soft cloths with mild soap and water or Novus acrylic cleaner. **Do not use glass cleaner. Cleaners containing ammonia and alcohol as well as hand sanitizer, perfume or cologne can damage (craze) the acrylic.**

FINAL ASSEMBLY: After placing item on Base Assembly, place Cover Assembly over top of set and slide tabs into slots on Base Assembly.



ASSEMBLY INSTRUCTIONS

PLEASE CAREFULLY READ AND FOLLOW ALL THE INSTRUCTIONS IN THE DESIGNATED SEQUENCE.

ASSEMBLY COMPLETED

